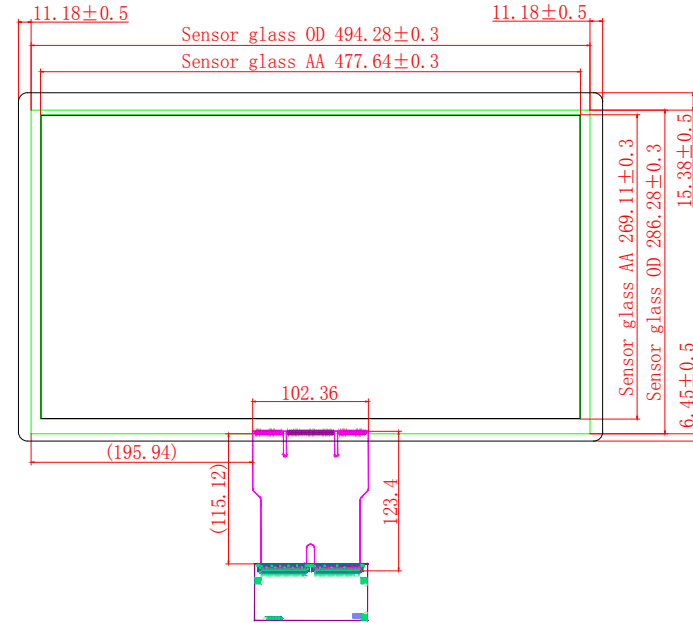
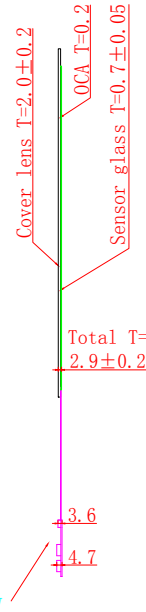
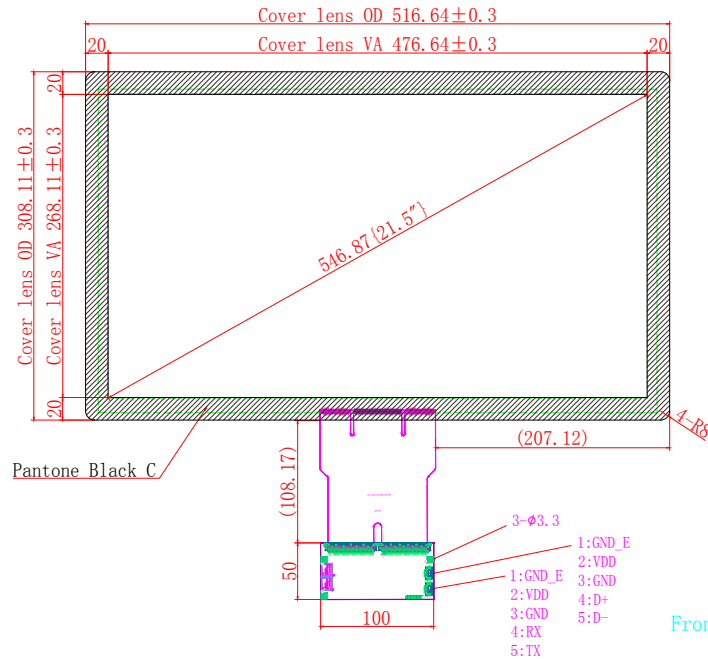


# Front view

# Side view

# Back view



### Technical Parameters

- 0: Interface :USB
- 1: Touch point: 10
- 2: Cover lens + Sensor glass + OCA + FPC
- 3: Cover lens Thickness = 2.0mm
- 4: Sensor glass Thickness = 0.7mm
- 5: OCA Thickness = 0.2mm
- 6: Total Thickness = 2.9mm
- 7: Sensor Process: Print Process (ITO Pattern) + laser line(Ag)
- 8: Input Voltage 3.5V~5.5V, Typical 5V
- 9: Transmittance:>85%
- 10: Surface Hardness:>6H
- 11: Relative Humidity:95% at 60°C, RH Non-condensing
- 12: Dimension tolerance:GB/T1804-2000 m

Drawing By	LI JIAJING	2018.03.23	Materials	Glass	21.5" (16:9)
Checked By			Scale	1:1	
Approved By			Units	mm	Drawing Name
				第 1 页 共 1 页	21.5 CTP
					Drawing No. CBEG215A1609V1